

Ningbo Hyforce Hydraulic Machinery Co., Ltd

Heat Exchangers



Office Address: Room 15B04, Aolisai Building, No.958 Qianhu North Road, Yinzhou, Ningbo, China
Zip Code: 315100
Plant Address: No.6, Hezhou Road, Jiaochuan Street, Zhenhai, Ningbo, China
Zip Code: 315207
TEL: 0086-574-88017526; FAX: 0086-574-88017527
Website: www.hy-force.com
Email: sales@hy-force.com

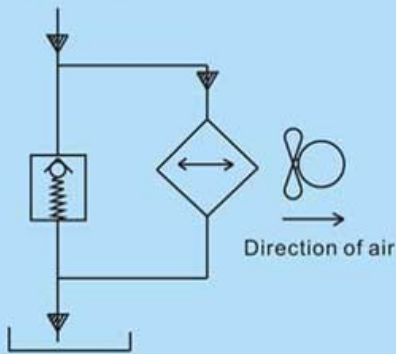
Heat Exchanger Series

Content of Heat Exchanger Series	Page No.
AF0510T Series Air Cooler	N1-N2
AF1025T Series Air Cooler	N3-N4
AW0607T Series Air Cooler	N5-N6
AW0608T Series Air Cooler	N7-N8
AW0608TL Series Air Cooler	N9-N10
AH0607T Series Air Cooler	N11-N12
AH0608T Series Air Cooler	N13-N14
AH0608TL Series Air Cooler	N15-N16
AH1012T Series Air Cooler	N17-N18
AH1417T Series Air Cooler	N19-N20
AH1470T Series Air Cooler	N21-N22
AH1490T Series Air Cooler	N23-N24
AH1680T Series Air Cooler	N25-N26
AH1890T Series Air Cooler	N27-N28
AH2290T Series Air Cooler	N29-N30
AH2590T Series Air Cooler	N31-N32
OR Series Multi-tube Oil Coolers	N33

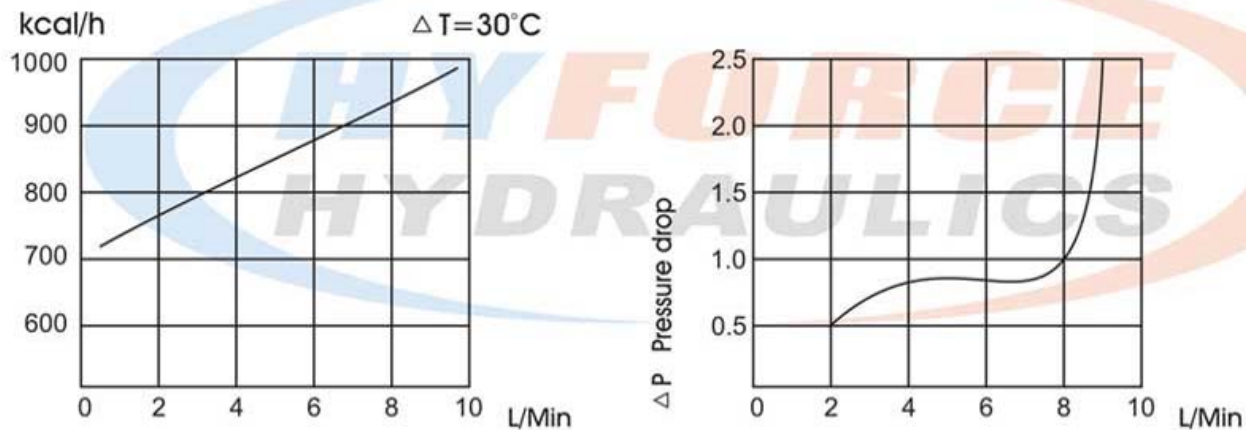
Heat Exchanger Series

AF0510T Series Air Cooler

Symbol



Performance curve



Technical data

Model	Voltage	Max. flow rate (l/min)	Max. working pressure (bar)	Consumed power (W)	Speed (rpm)	Noise (db)	Weight (kg)
AF0510T	DC12V	15	20	18	2500	50	2.5
	DC24V						
	AC110V (50Hz/60Hz)						
	AC220V (50Hz/60Hz)			38	2620		
	AC380V (50Hz/60Hz)						

A

B

C

D

E

F

G

H

I

J

K

L

M

N

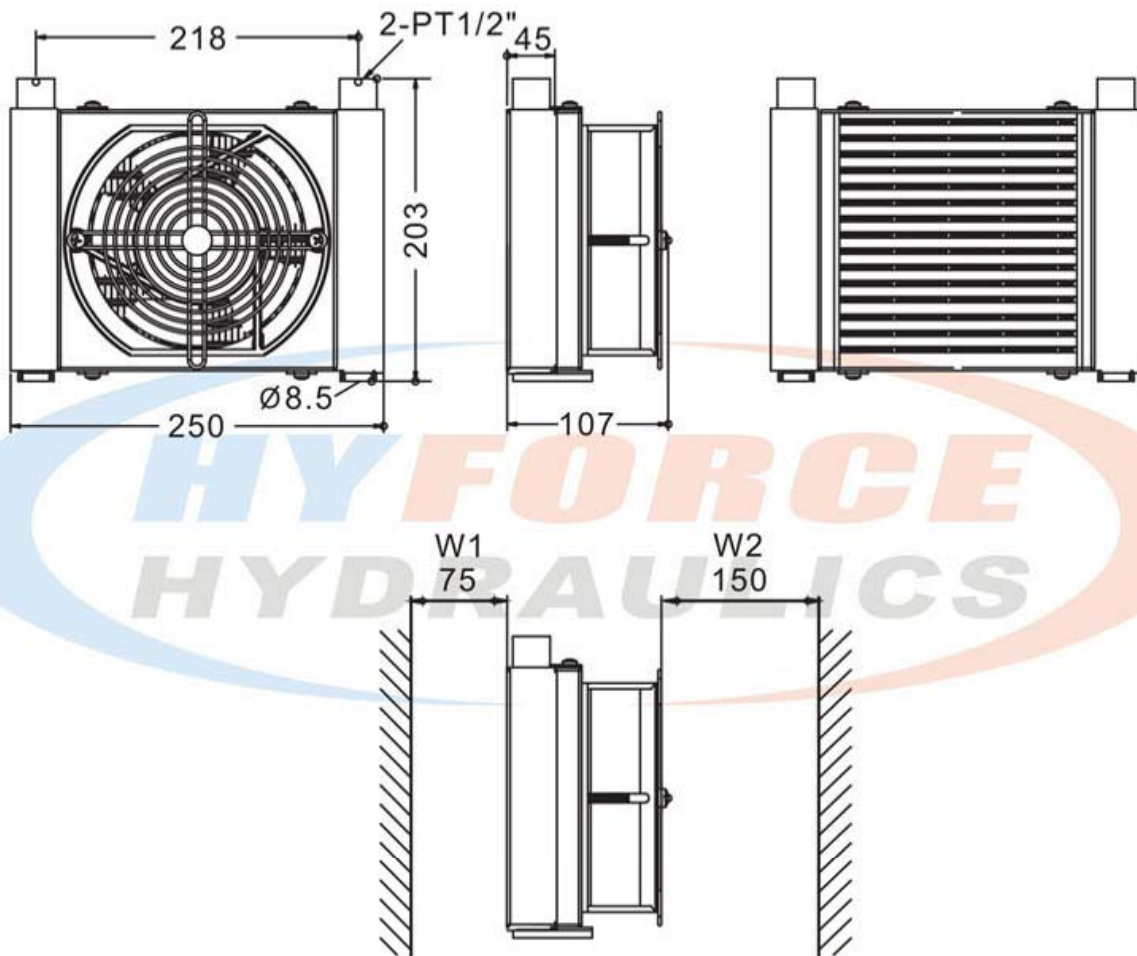
O

P

Heat Exchanger Series

AF0510T series air cooler dimensions

Unit: mm



N2

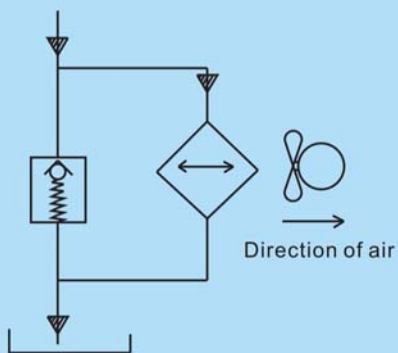
W1 is the min. distance between air inlet and obstacle

W2 is the min. distance between air outlet and obstacle

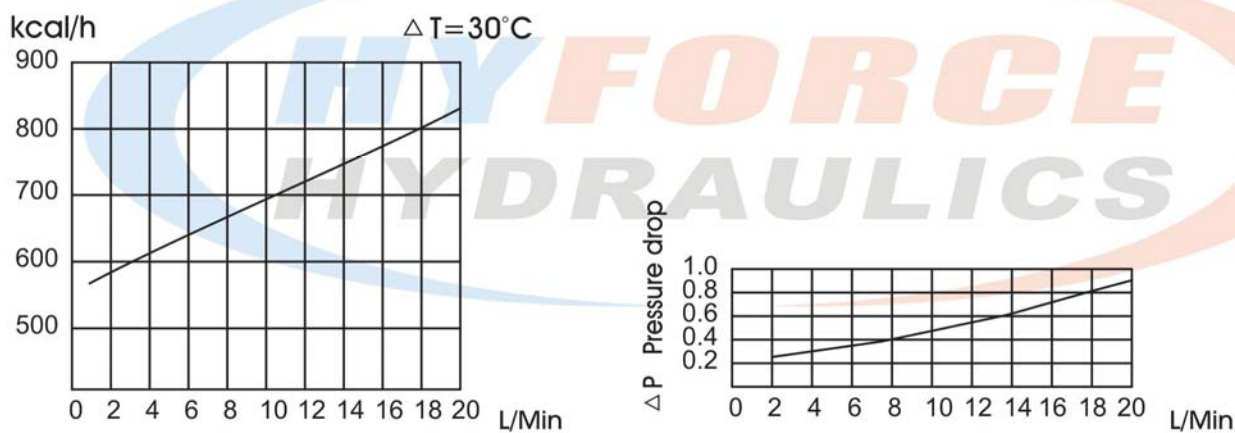
Heat Exchanger Series

AF1025T Series Air Cooler

Symbol



Performance curve



Technical data

Model	Voltage	Max. flow rate (l/min)	Max. working pressure (bar)	Consumed power (W)	Speed (rpm)	Noise (db)	Weight (kg)
AF1025T	DC12V	20	20	18	2500	50	3
	DC24V						
	AC110V (50Hz/60Hz)			38	2620		
	AC220V (50Hz/60Hz)						
	AC380V (50Hz/60Hz)						

A

B

C

D

E

F

G

H

I

J

K

L

M

N3

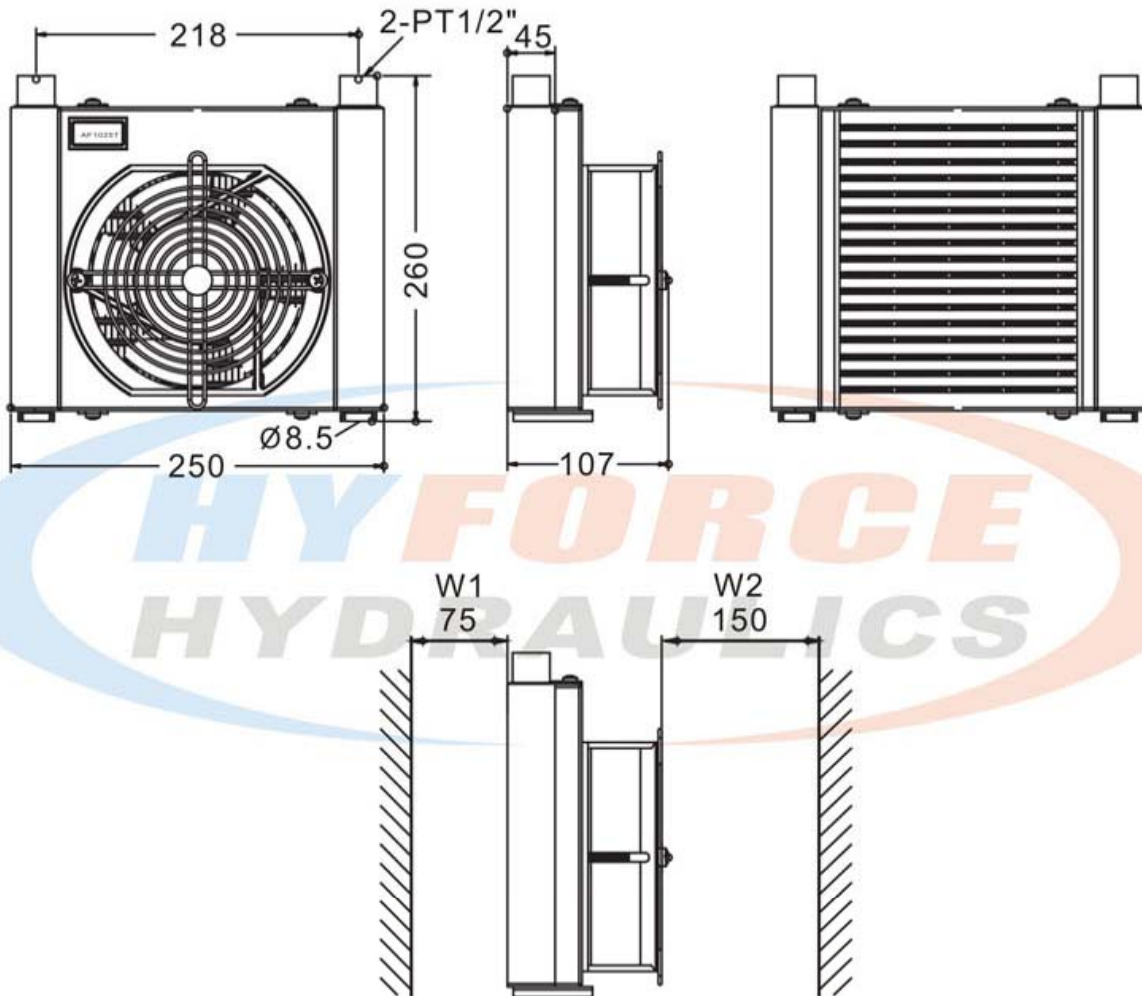
O

P

Heat Exchanger Series

AF1025T series air cooler dimensions

Unit: mm



N4

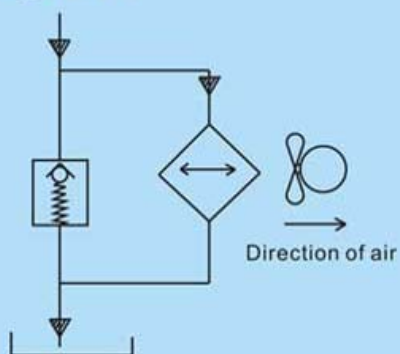
W1 is the min. distance between air inlet and obstacle

W2 is the min. distance between air outlet and obstacle

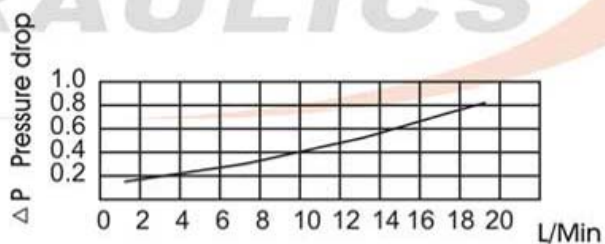
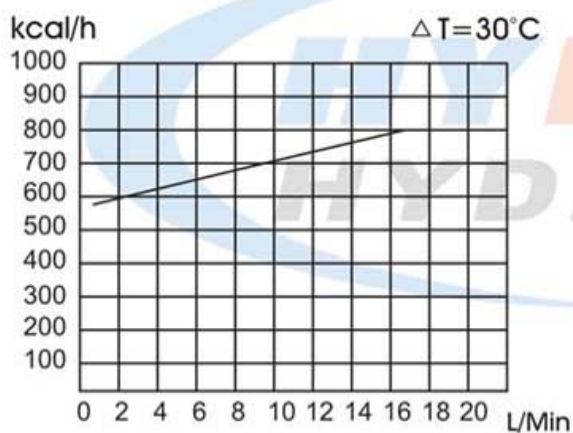
Heat Exchanger Series

AW0607T Series Air Cooler

Symbol



Performance curve



Technical data

Model	Voltage	Max. flow rate (l/min)	Max. working pressure (bar)	Consumed power (W)	Speed (rpm)	Noise (db)	Weight (kg)
AW0607T	DC12V	20	20	18	2500	50	3.1
	DC24V						
	AC110V (50Hz/60Hz)			38	2620		
	AC220V (50Hz/60Hz)						
AC380V (50Hz/60Hz)							

A

B

C

D

E

F

G

H

I

J

K

L

M

N5

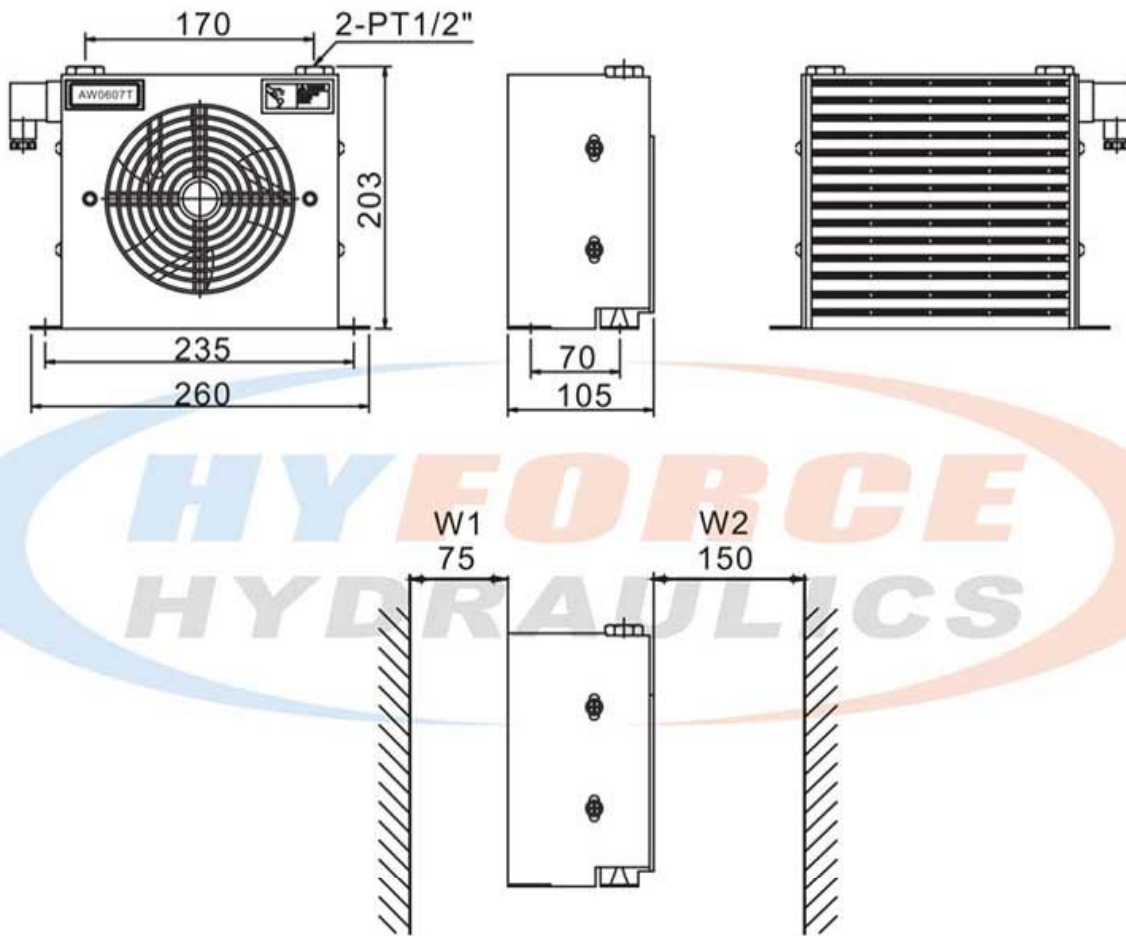
O

P

Heat Exchanger Series

AW0607T series air cooler dimensions

Unit: mm



N6

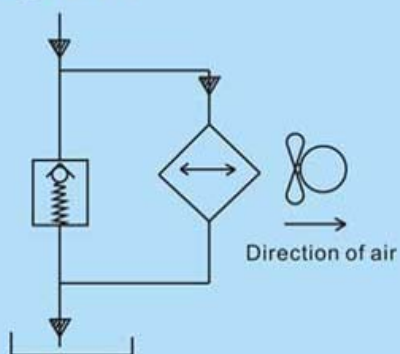
W1 is the min. distance between air inlet and obstacle

W2 is the min. distance between air outlet and obstacle

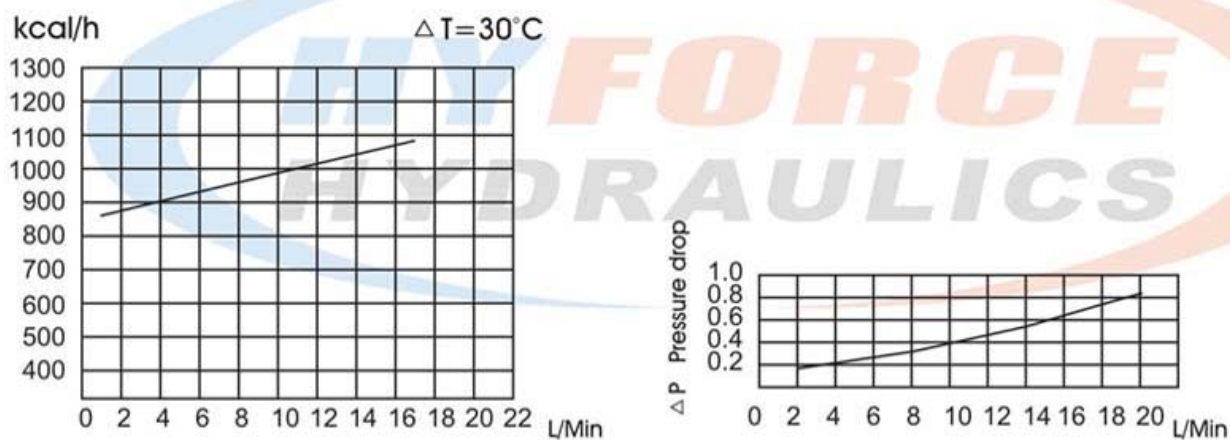
Heat Exchanger Series

AW0608T Series Air Cooler

Symbol



Performance curve



Technical data

Model	Voltage	Max. flow rate (l/min)	Max. working pressure (bar)	Consumed power (W)	Speed (rpm)	Noise (db)	Weight (kg)
AW0608T	DC12V	20	20	18	2500	50	3.6
	DC24V						
	AC110V (50Hz/60Hz)			38	2620		
	AC220V (50Hz/60Hz)						
AC380V (50Hz/60Hz)							

A

B

C

D

E

F

G

H

I

J

K

L

M

N7

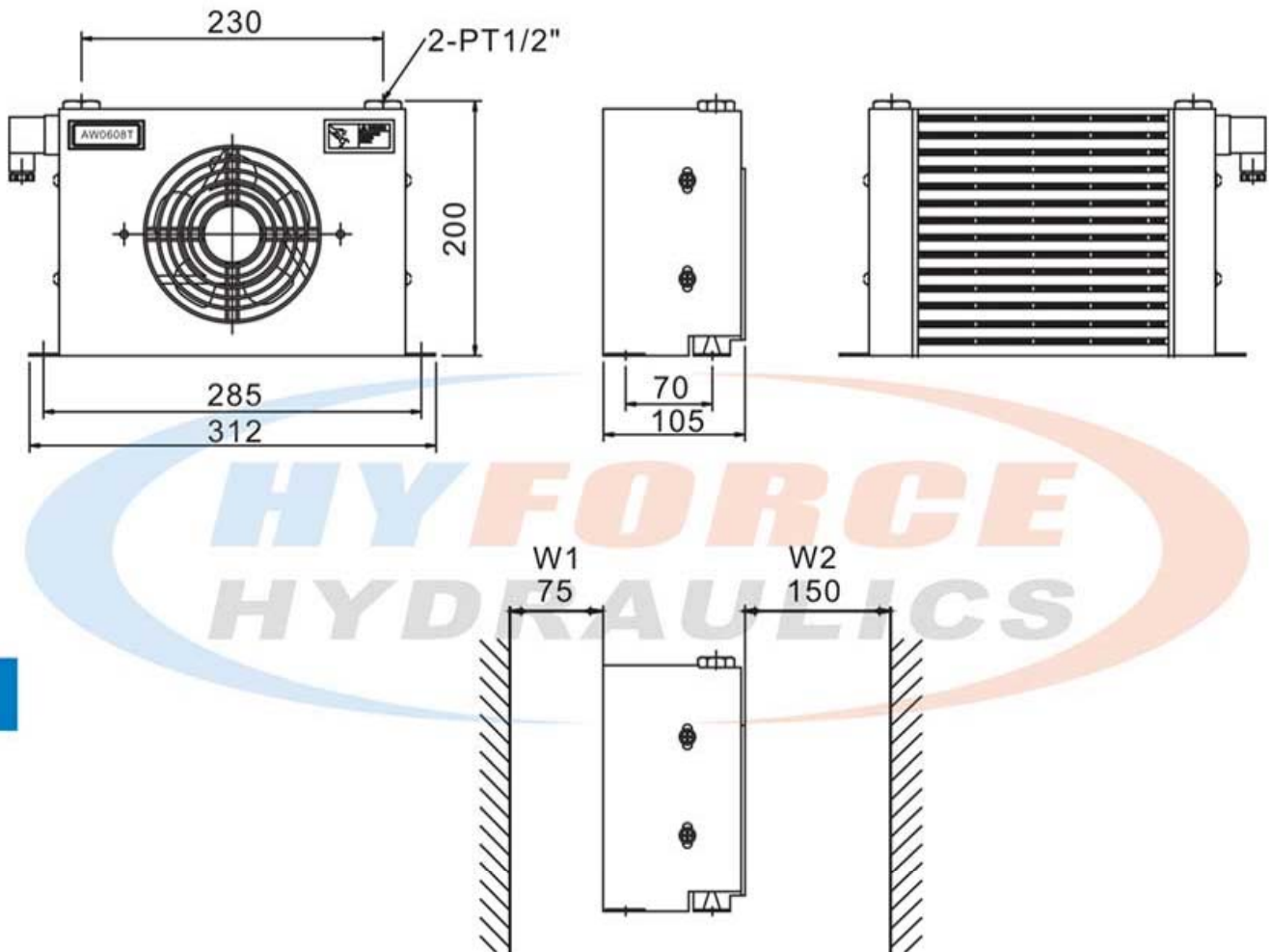
O

P

Heat Exchanger Series

AW0608T series air cooler dimensions

Unit: mm



N8

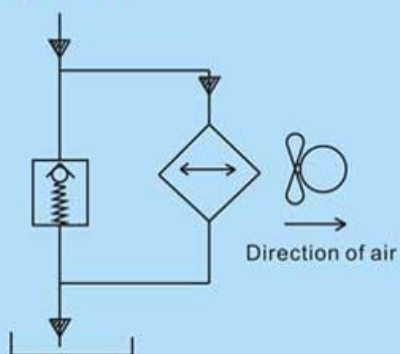
W1 is the min. distance between air inlet and obstacle

W2 is the min. distance between air outlet and obstacle

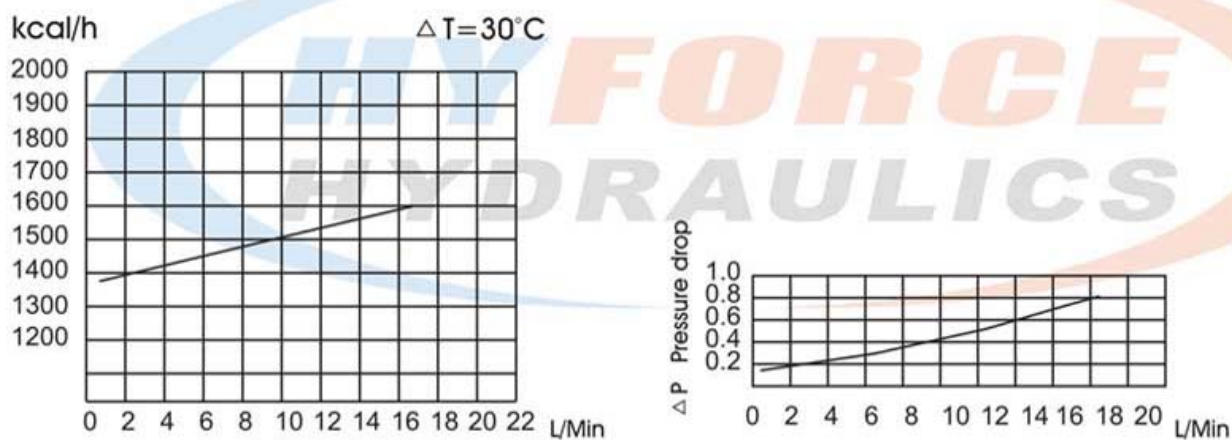
Heat Exchanger Series

AW0608TL Series Air Cooler

Symbol



Performance curve



Technical data

Model	Voltage	Max. flow rate (l/min)	Max. working pressure (bar)	Consumed power (W)	Speed (rpm)	Noise (db)	Weight (kg)
AW0608TL	DC12V	20	20	18	2500	50	4.8
	DC24V						
	AC110V (50Hz/60Hz)			38	2620		
	AC220V (50Hz/60Hz)						
AC380V (50Hz/60Hz)							

A

B

C

D

E

F

G

H

I

J

K

L

M

N

O

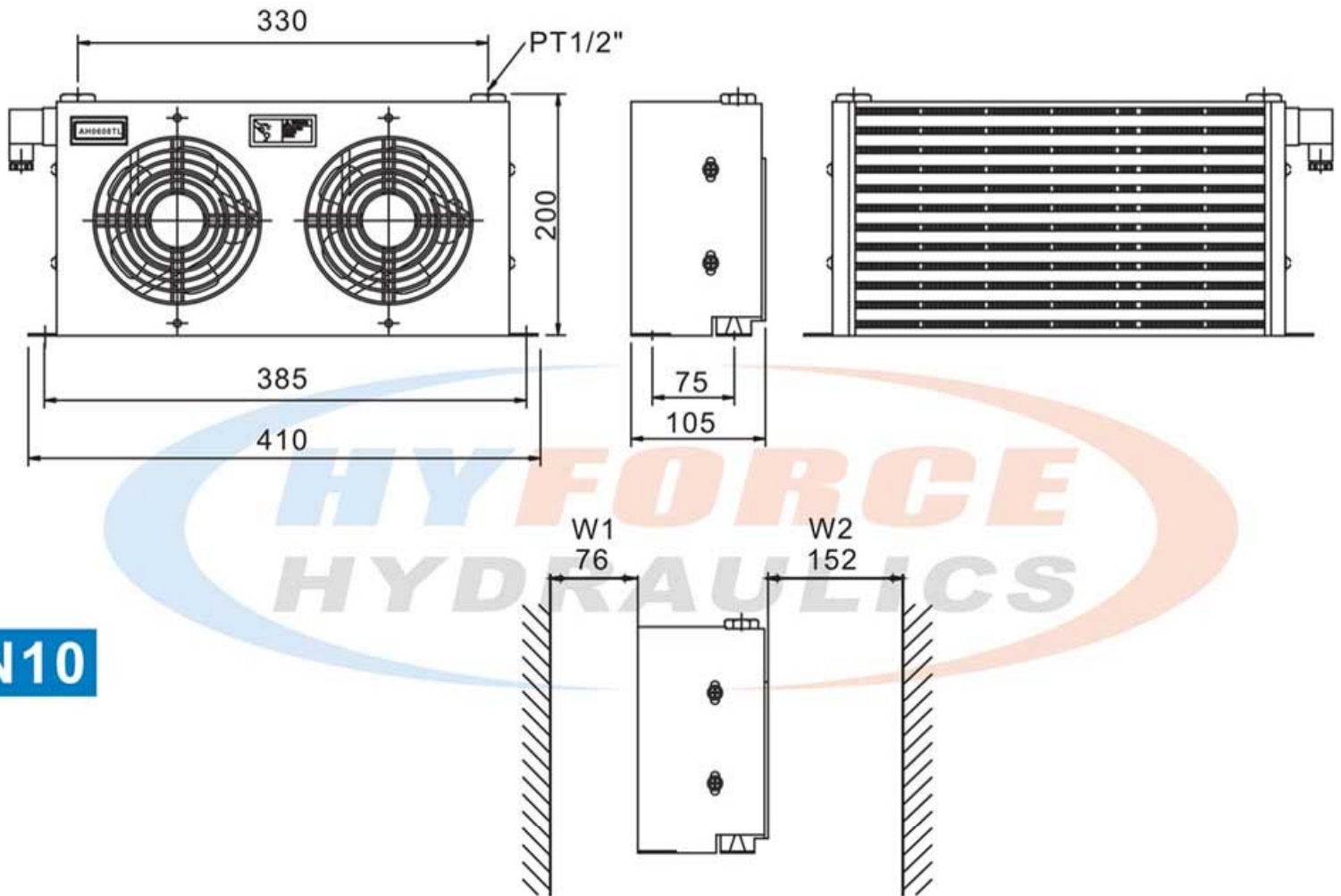
P

N9

Heat Exchanger Series

AW0608TL series air cooler dimensions

Unit: mm



N10

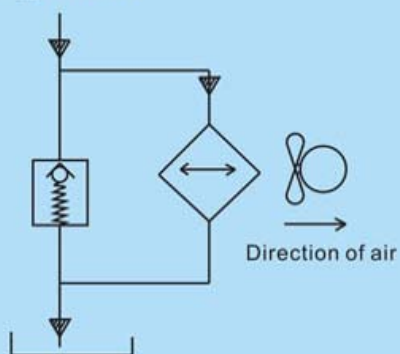
W1 is the min. distance between air inlet and obstacle

W2 is the min. distance between air outlet and obstacle

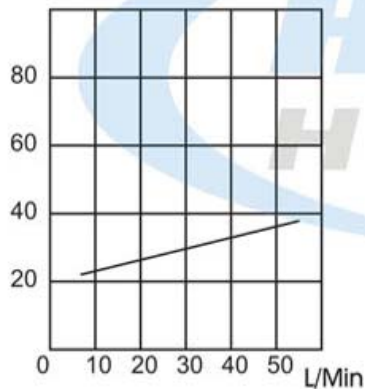
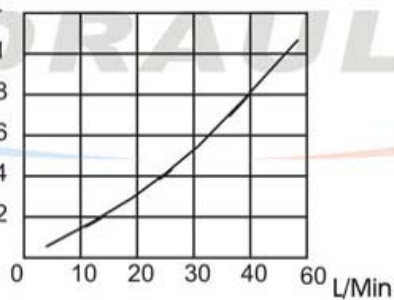
Heat Exchanger Series

AH0607T Series Air Cooler

Symbol



Performance curve

 $kr \left(\frac{\text{kcal}}{\text{h}^\circ\text{C}} \right)$

 ΔP Pressure drop (bar)


Technical data

Model	Voltage	Max. flow rate (l/min)	Max. working pressure (bar)	Consumed power (W)	Speed (rpm)	Noise (db)	Weight (kg)
AH0607T	DC12V	40	35	18	2500	50	4.1
	DC24V						
	AC110V (50Hz/60Hz)			38	2620		
	AC220V (50Hz/60Hz)						
AC380V (50Hz/60Hz)							

A

B

C

D

E

F

G

H

I

J

K

L

M

N11

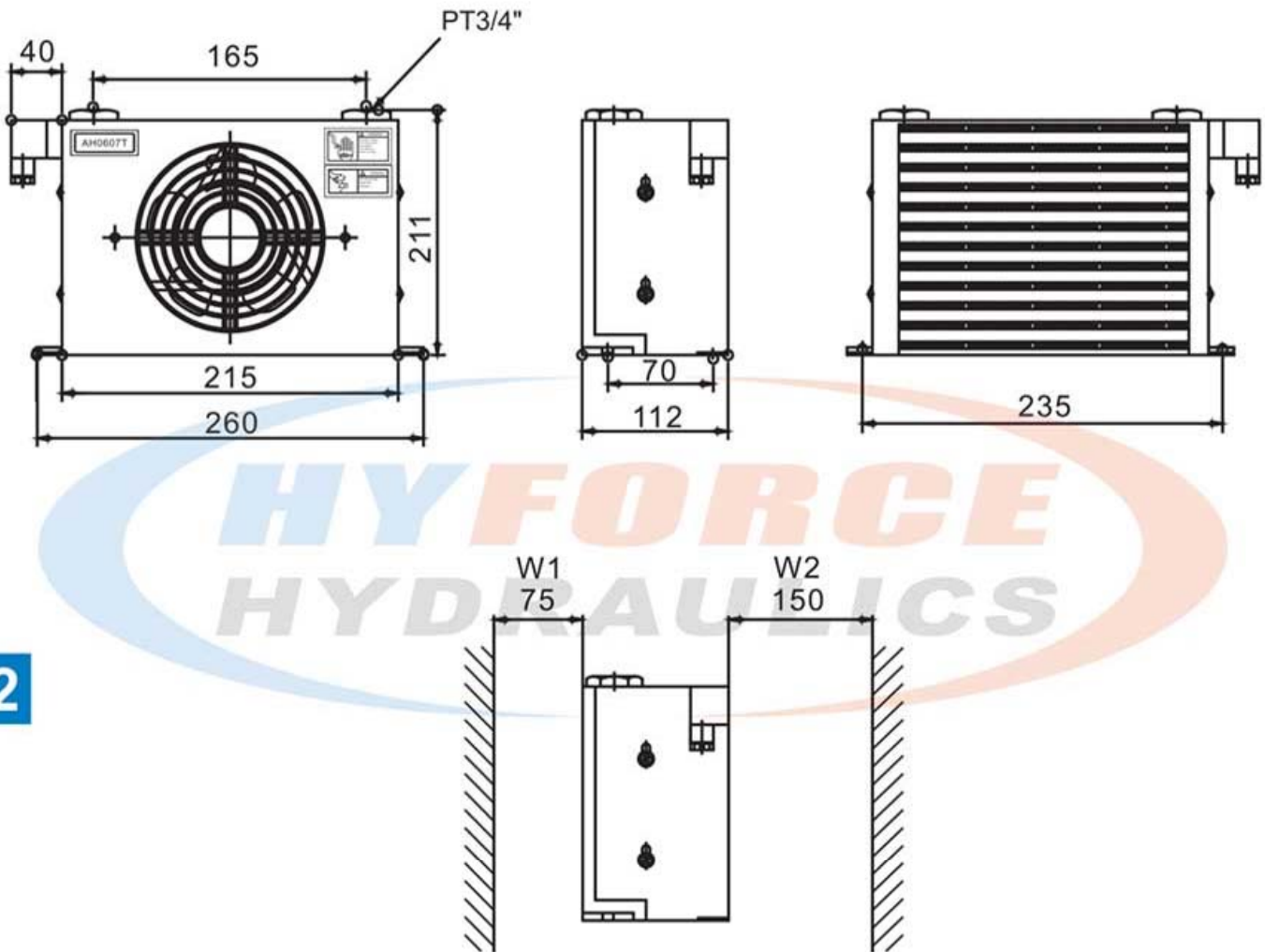
O

P

Heat Exchanger Series

AH0607T series air cooler dimensions

Unit: mm



N12

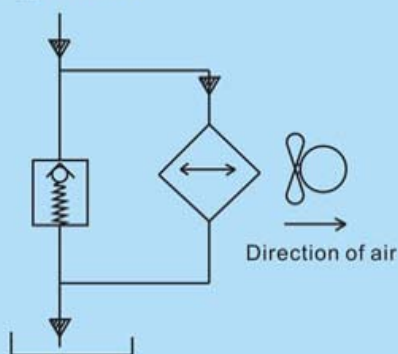
W1 is the min. distance between air inlet and obstacle

W2 is the min. distance between air outlet and obstacle

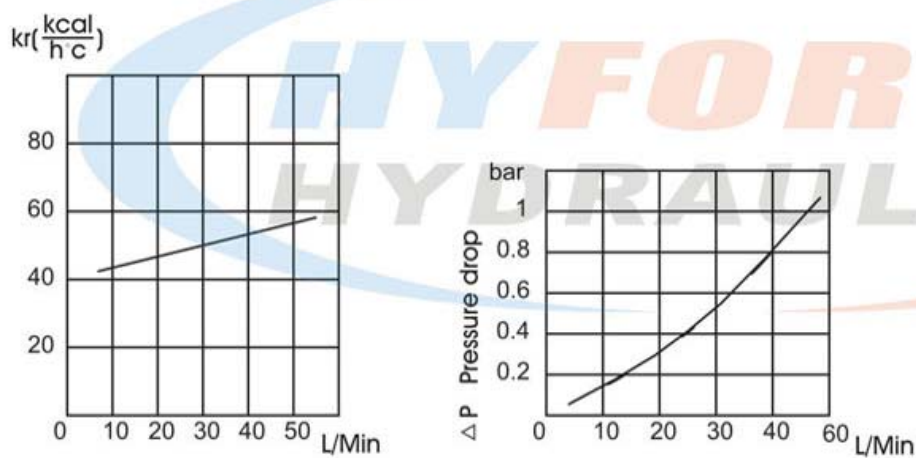
Heat Exchanger Series

AH0608T Series Air Cooler

Symbol



Performance curve



Technical data

Model	Voltage	Max. flow rate (l/min)	Max. working pressure (bar)	Consumed power (W)	Speed (rpm)	Noise (db)	Weight (kg)
AH0608T	DC12V	60	35	18	2500	50	4.3
	DC24V						
	AC110V (50Hz/60Hz)			38	2620		
	AC220V (50Hz/60Hz)						
AC380V (50Hz/60Hz)							

A

B

C

D

E

F

G

H

I

J

K

L

M

N13

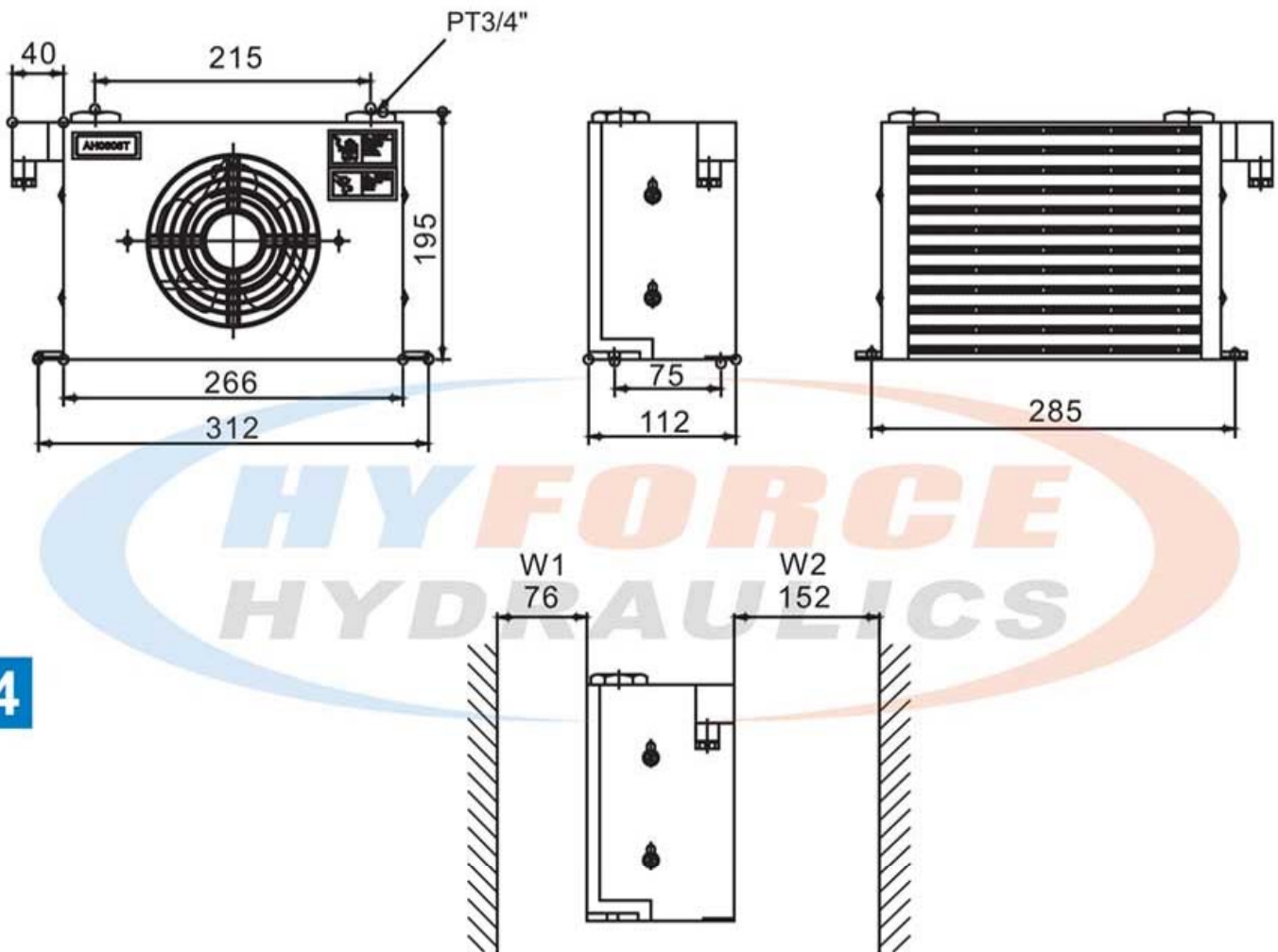
O

P

Heat Exchanger Series

AH0608T series air cooler dimensions

Unit: mm



N14

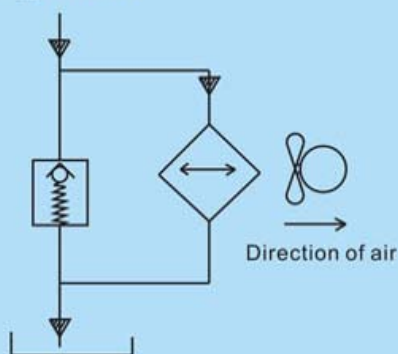
W1 is the min. distance between air inlet and obstacle

W2 is the min. distance between air outlet and obstacle

Heat Exchanger Series

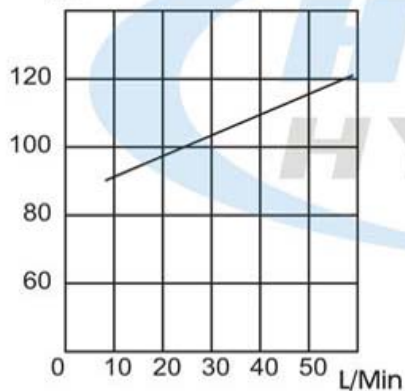
AH0608TL Series Air Cooler

Symbol

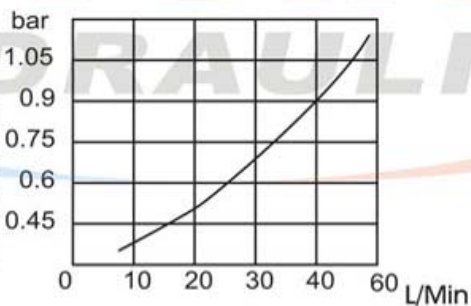


Performance curve

kr ($\frac{\text{kcal}}{\text{h} \cdot \text{C}}$)



ΔP Pressure drop



Technical data

Model	Voltage	Max. flow rate (l/min)	Max. working pressure (bar)	Consumed power (W)	Speed (rpm)	Noise (db)	Weight (kg)
AH0608TL	DC12V	60	35	18	2500	50	6.2
	DC24V						
	AC110V (50Hz/60Hz)			38	2620		
	AC220V (50Hz/60Hz)						
AC380V (50Hz/60Hz)							

A

B

C

D

E

F

G

H

I

J

K

L

M

N15

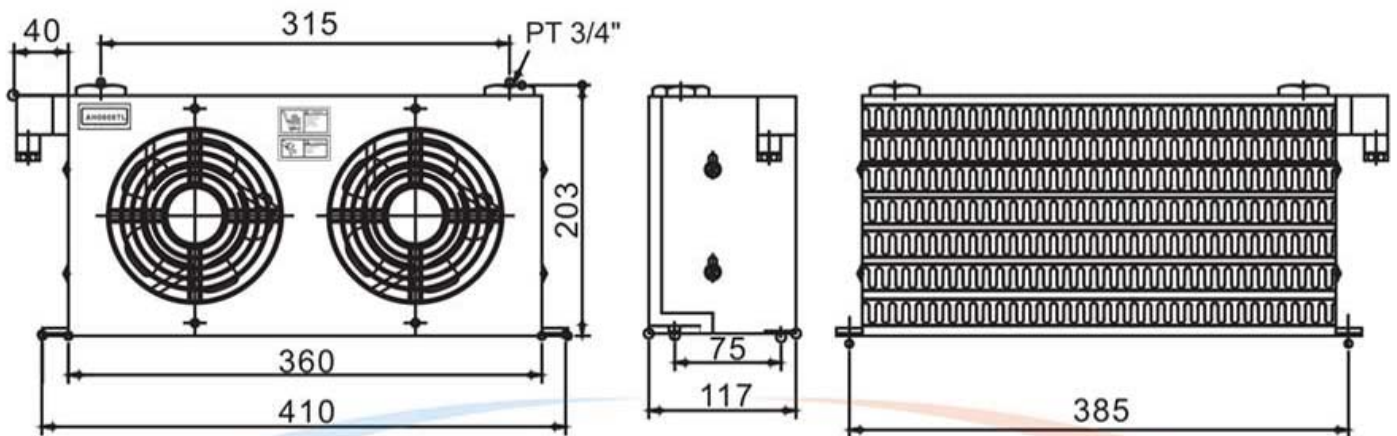
O

P

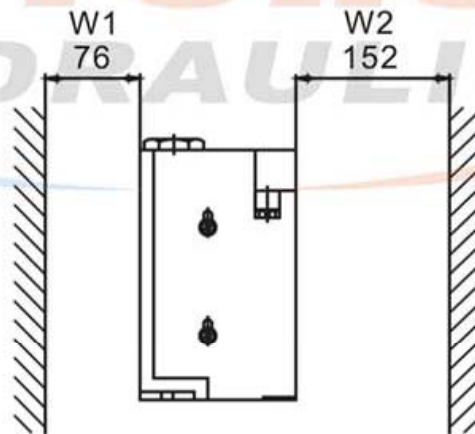
Heat Exchanger Series

AH0608TL series air cooler dimensions

Unit: mm



N16



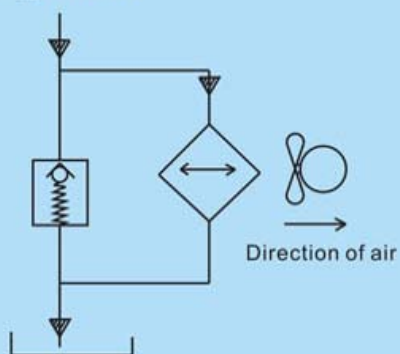
W1 is the min. distance between air inlet and obstacle

W2 is the min. distance between air outlet and obstacle

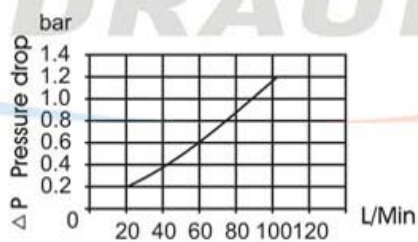
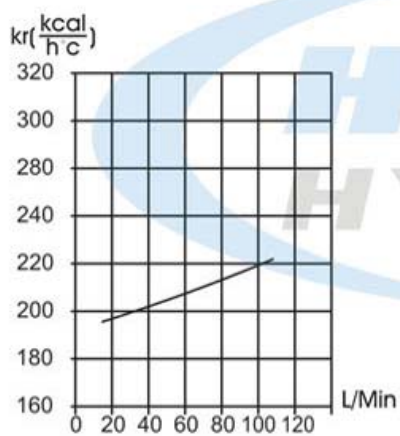
Heat Exchanger Series

AH1012T Series Air Cooler

Symbol



Performance curve



Technical data

Model	Voltage	Max. flow rate (l/min)	Max. working pressure (bar)	Consumed power (W)	Speed (rpm)	Noise (db)	Weight (kg)
AH1012T	DC12V	100	35	100	2890	60	10.5
	DC24V				2700		
	AC220V (50Hz/60Hz)			80	2650		
	AC380V (50Hz/60Hz)						

A

B

C

D

E

F

G

H

I

J

K

L

M

N

17

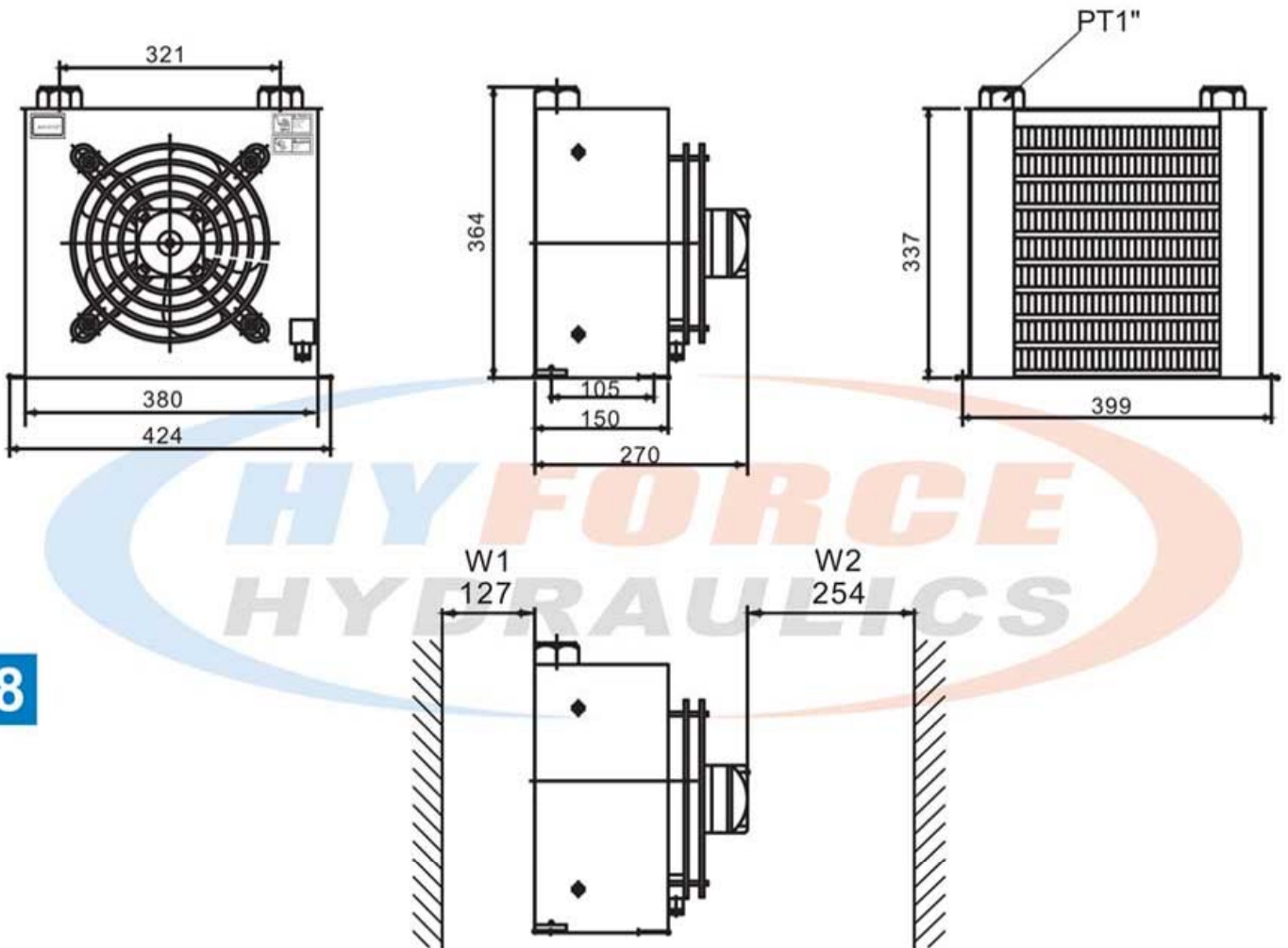
O

P

Heat Exchanger Series

AH1012T series air cooler dimensions

Unit: mm



N18

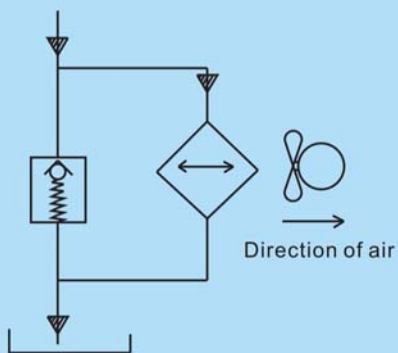
W1 is the min. distance between air inlet and obstacle

W2 is the min. distance between air outlet and obstacle

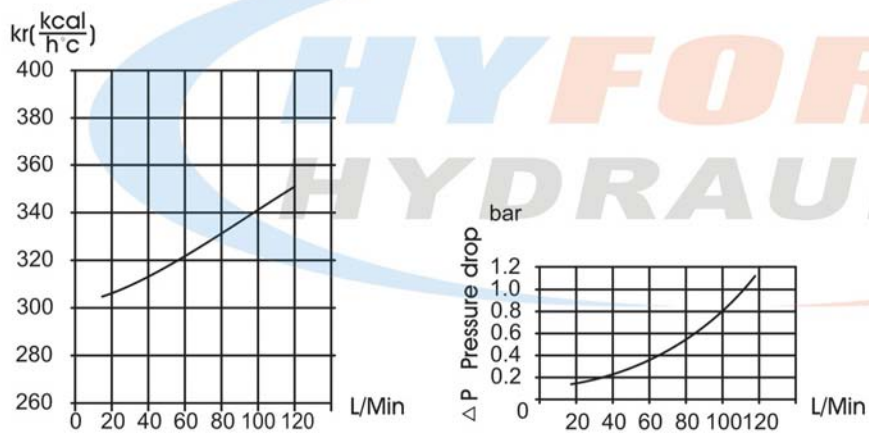
Heat Exchanger Series

AH1417T Series Air Cooler

Symbol



Performance curve



Technical data

Model	Voltage	Max. flow rate (l/min)	Max. working pressure (bar)	Consumed power (W)	Speed (rpm)	Noise (db)	Weight (kg)
AH1417T	DC12V	150	35	120	2000	60	21.2
	DC24V				2420		
	AC220V (50Hz/60Hz)			129	1400		
	AC380V (50Hz/60Hz)						

A

B

C

D

E

F

G

H

I

J

K

L

M

N19

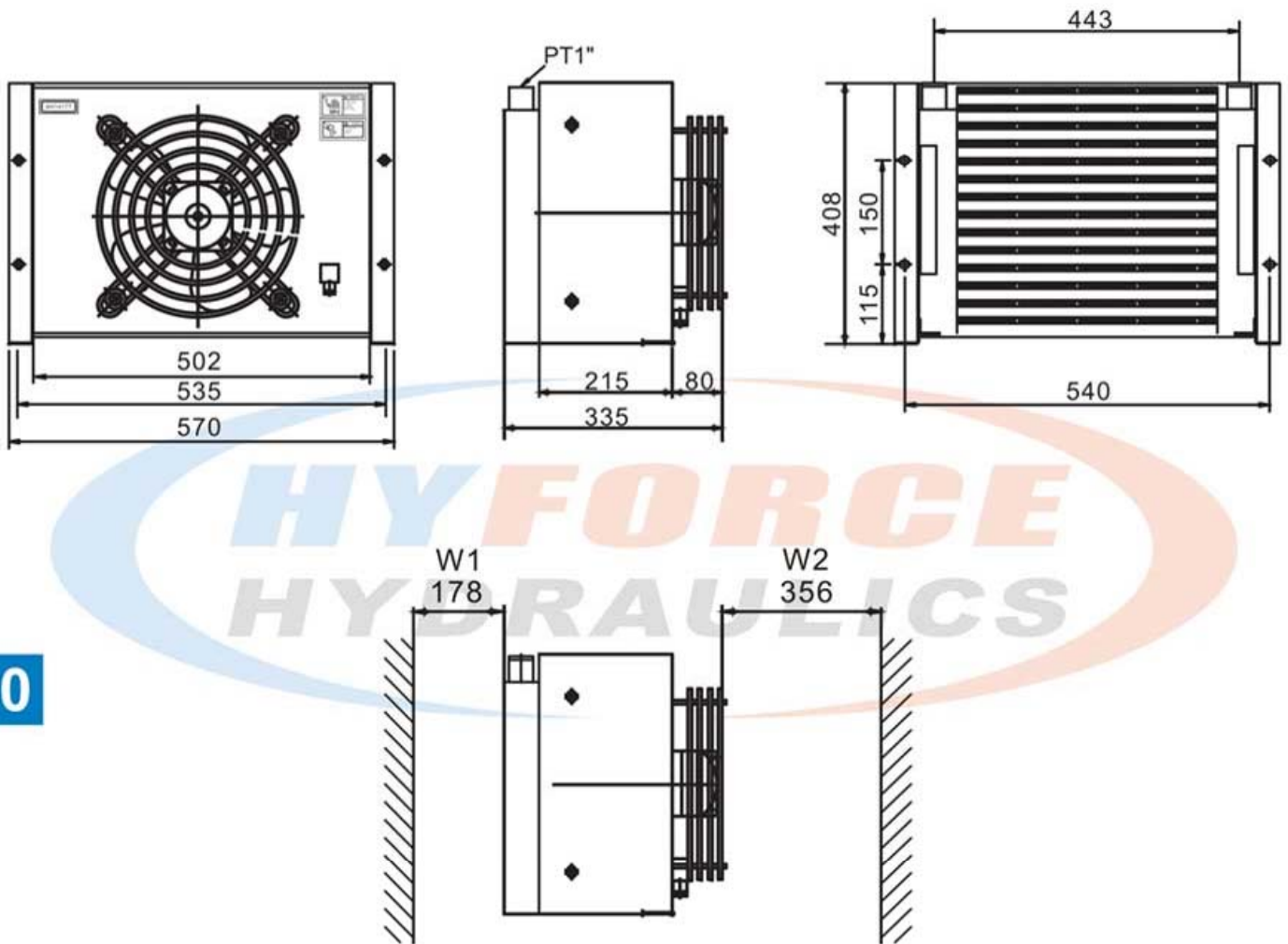
O

P

Heat Exchanger Series

AH1417T series air cooler dimensions

Unit: mm



W1 is the min. distance between air inlet and obstacle

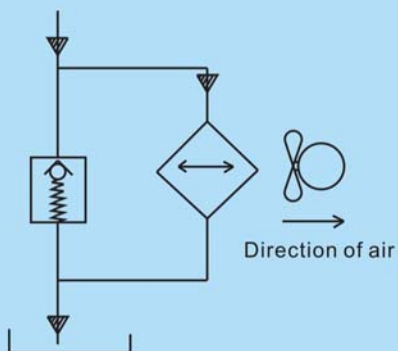
W2 is the min. distance between air outlet and obstacle

N20

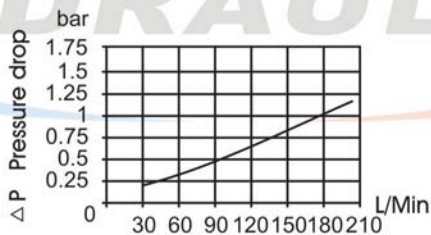
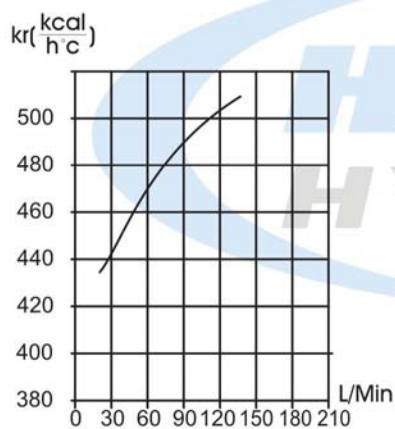
Heat Exchanger Series

AH1470T Series Air Cooler

Symbol



Performance curve



Technical data

Model	Voltage	Max. flow rate (l/min)	Max. working pressure (bar)	Consumed power (W)	Speed (rpm)	Noise (db)	Weight (kg)
AH1470T	DC12V	200	35	120	2000	60	23.6
	DC24V				2420		
	AC220V (50Hz/60Hz)			129	1400		
	AC380V (50Hz/60Hz)						

A

B

C

D

E

F

G

H

I

J

K

L

M

N21

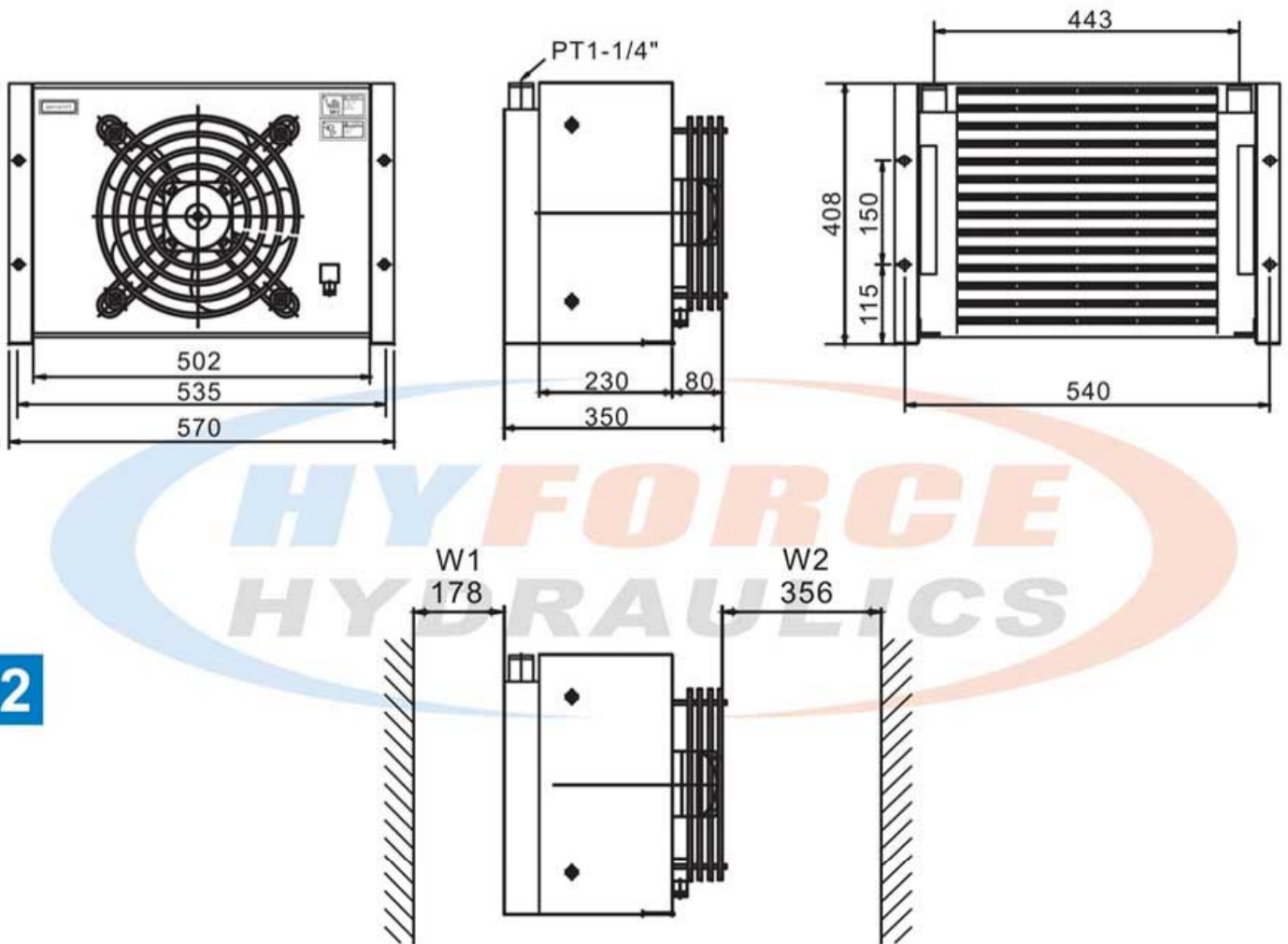
O

P

Heat Exchanger Series

AH1470T series air cooler dimensions

Unit: mm



W1 is the min. distance between air inlet and obstacle

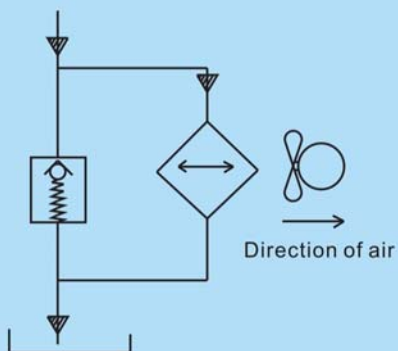
W2 is the min. distance between air outlet and obstacle

N22

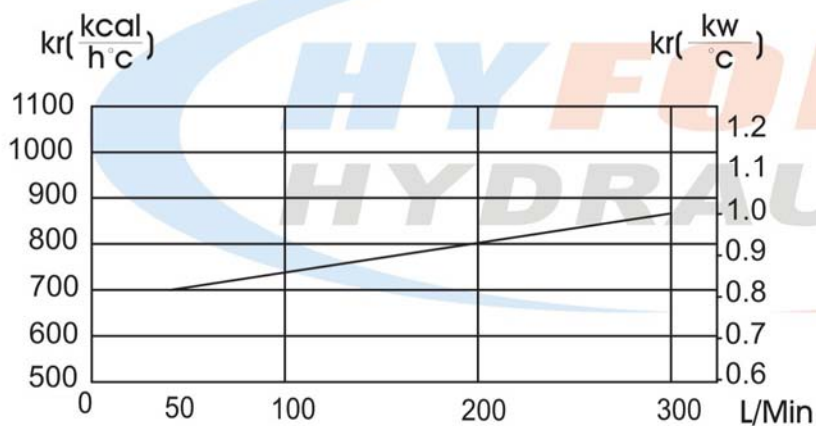
Heat Exchanger Series

AH1490T Series Air Cooler

Symbol



Performance curve



Technical data

Model	Voltage	Max. flow rate (l/min)	Max. working pressure (bar)	Consumed power (W)	Speed (rpm)	Noise (db)	Weight (kg)
AH1490T	DC12V	300	35	120	2000	60	25.7
	DC24V				2420		
	AC220V (50Hz/60Hz)			129	1400		
	AC380V (50Hz/60Hz)						

A

B

C

D

E

F

G

H

I

J

K

L

M

N23

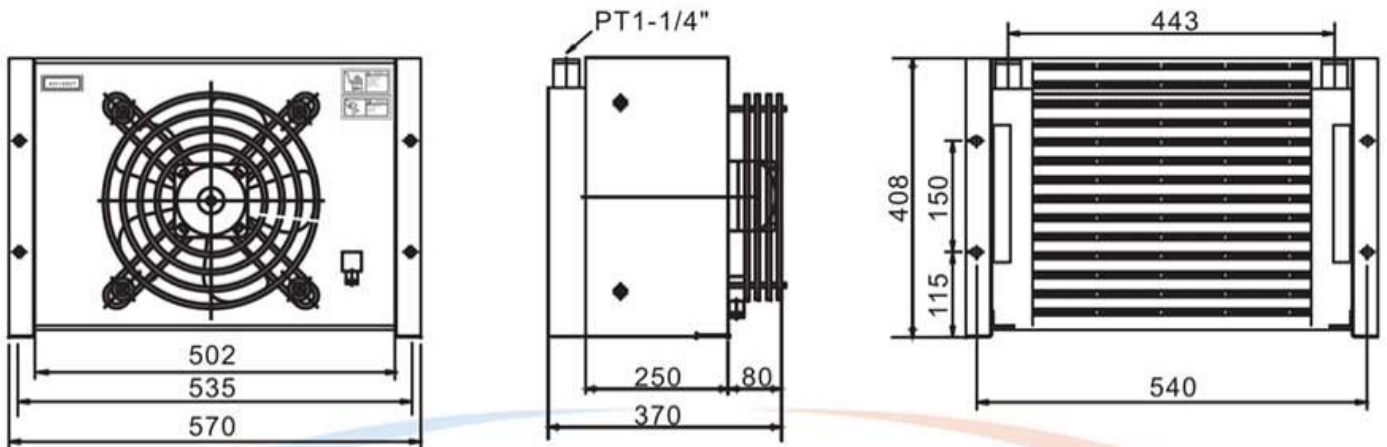
O

P

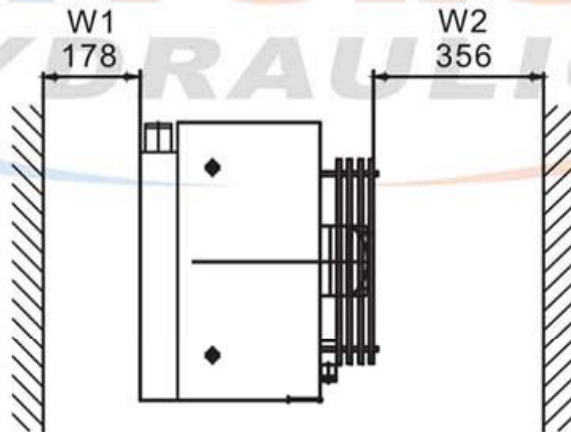
Heat Exchanger Series

AH1490T series air cooler dimensions

Unit: mm



N24



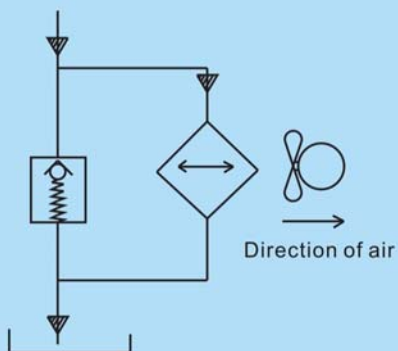
W1 is the min. distance between air inlet and obstacle

W2 is the min. distance between air outlet and obstacle

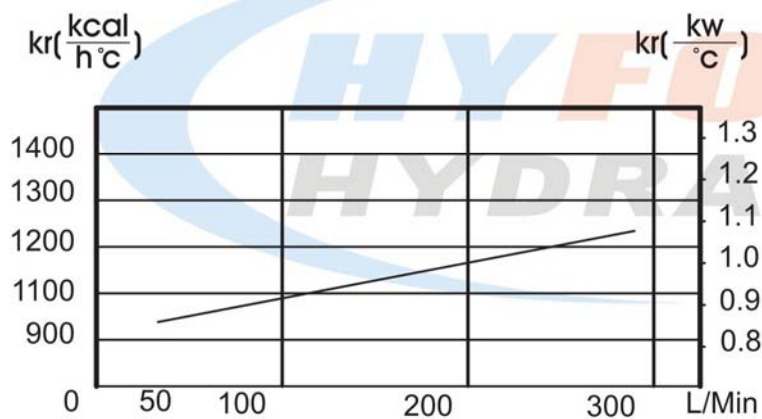
Heat Exchanger Series

AH1680T Series Air Cooler

Symbol



Performance curve



Technical data

Model	Voltage	Max. flow rate (l/min)	Max. working pressure (bar)	Consumed power (W)	Speed (rpm)	Noise (db)	Weight (kg)
AH1680T	DC12V (2 fans)	300	35	350	2682	70	41
	DC24V (2 fans)				2696		
	DC24V (4 fans)			240	2700		48.6
	AC220V (50Hz/60Hz)			380	1320		
	AC380V (50Hz/60Hz)			414	1300		

A

B

C

D

E

F

G

H

I

J

K

L

M

N25

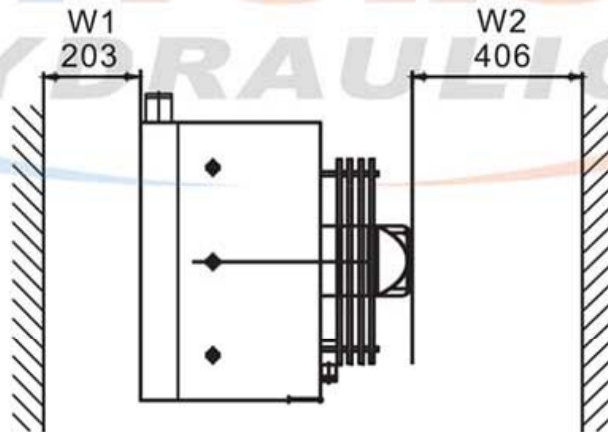
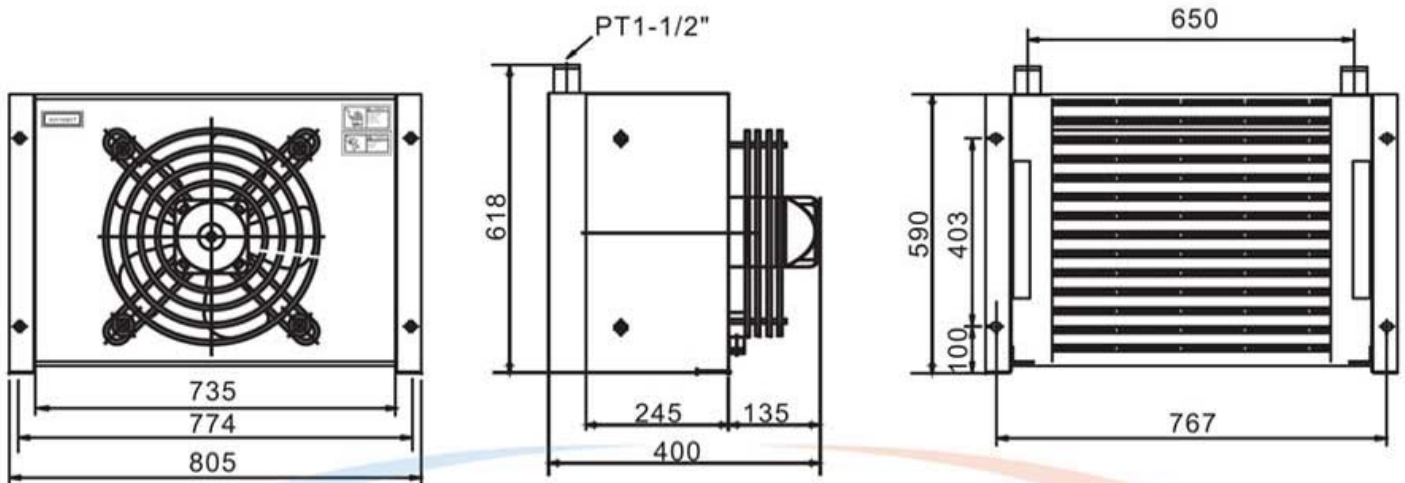
O

P

Heat Exchanger Series

AH1680T series air cooler dimensions

Unit: mm



W1 is the min. distance between air inlet and obstacle

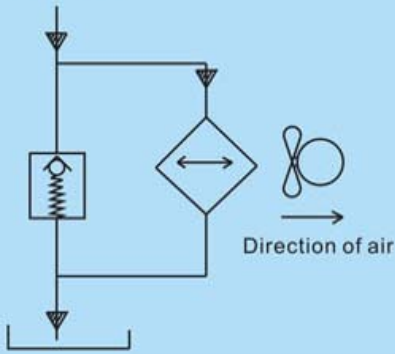
W2 is the min. distance between air outlet and obstacle

N26

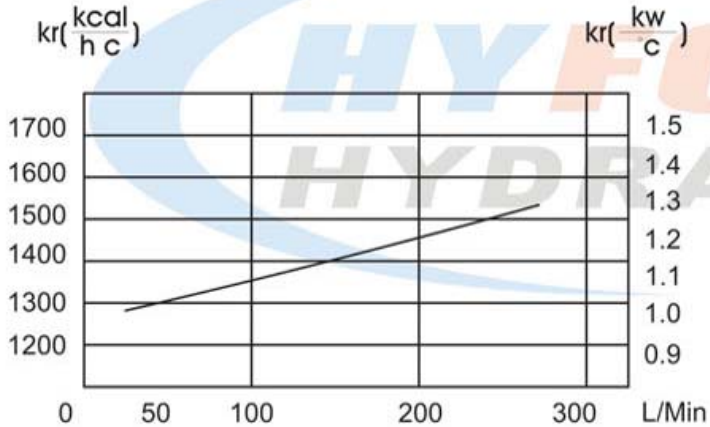
Heat Exchanger Series

AH1890T Series Air Cooler

Symbol



Performance curve



Technical data

Model	Voltage	Max. flow rate (l/min)	Max. working pressure (bar)	Consumed power (W)	Speed (rpm)	Noise (db)	Weight (kg)
AH1890T	DC12V (4 fans)	350	35	350	2682	75	38
	DC24V (4 fans)				2696		
	AC220V (50Hz/60Hz)			380	1320		45.5
	AC380V (50Hz/60Hz)			414	1300		

A

B

C

D

E

F

G

H

I

J

K

L

M

N27

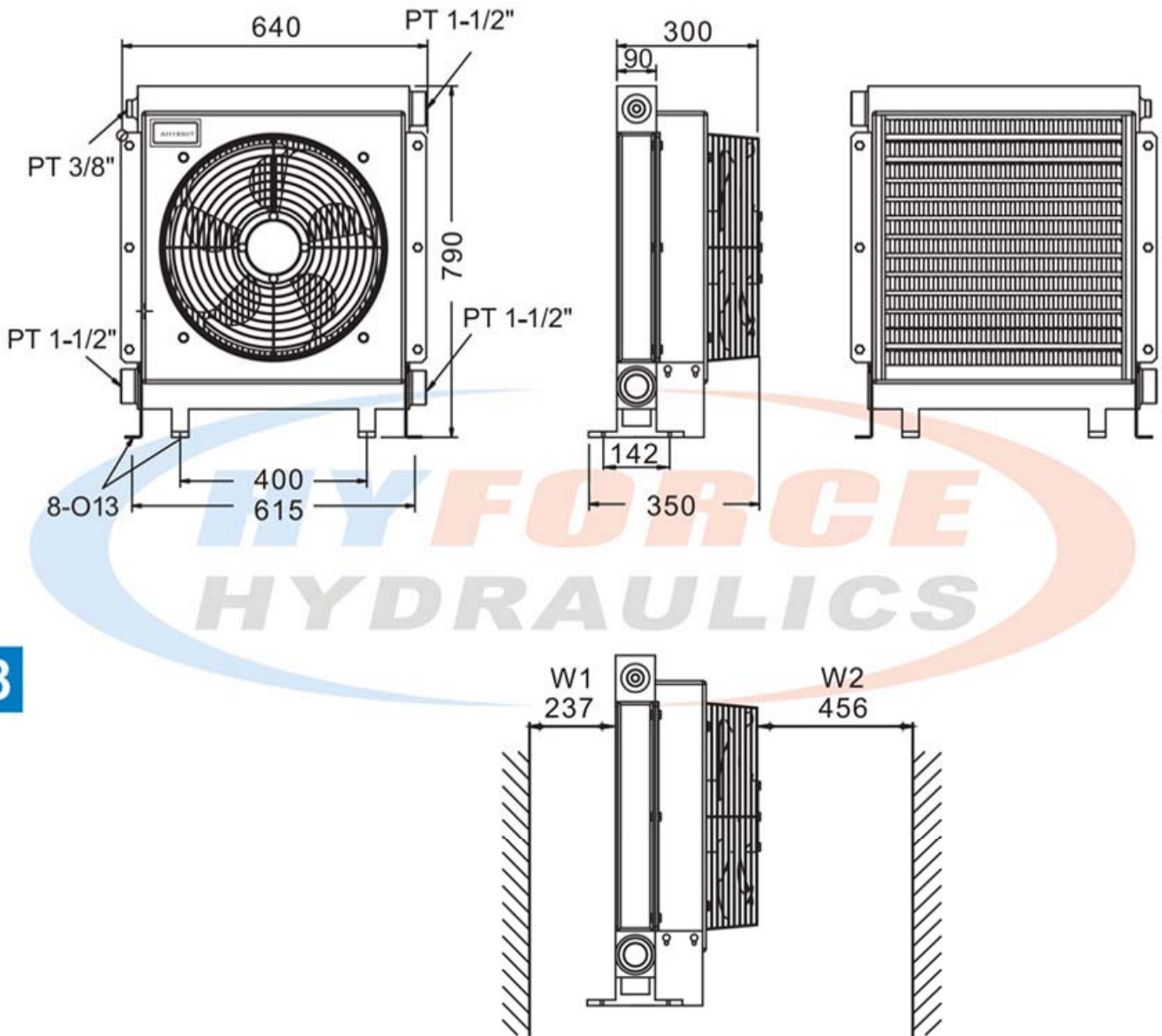
O

P

Heat Exchanger Series

AH1890T series air cooler dimensions

Unit: mm



W1 is the min. distance between air inlet and obstacle

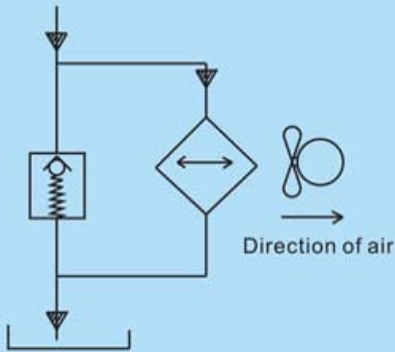
W2 is the min. distance between air outlet and obstacle

N28

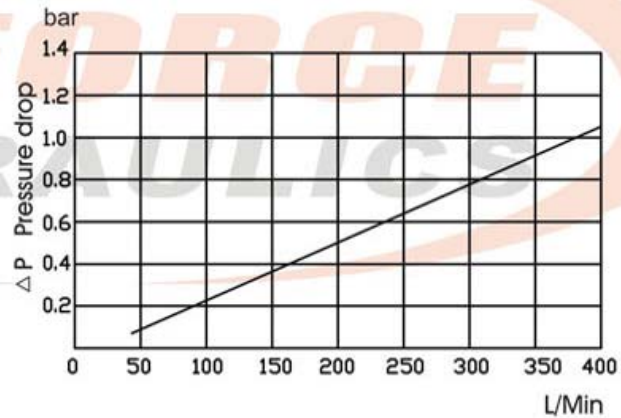
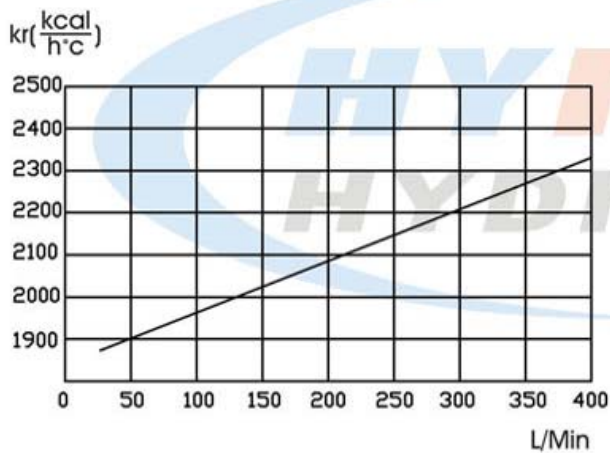
Heat Exchanger Series

AH2290T Series Air Cooler

Symbol



Performance curve



Technical data

Model	Voltage	Max. flow rate (l/min)	Max. working pressure (bar)	Consumed power (W)	Speed (rpm)	Noise (db)	Weight (kg)
AH2290T	DC12V (4 fans)	400	35	400	2890	60	76
	DC24V (4 fans)				2700		
	AC220V (4 fans) (50Hz/60Hz)			320	2650		80
	AC380V (4 fans) (50Hz/60Hz)						

A

B

C

D

E

F

G

H

I

J

K

L

M

N29

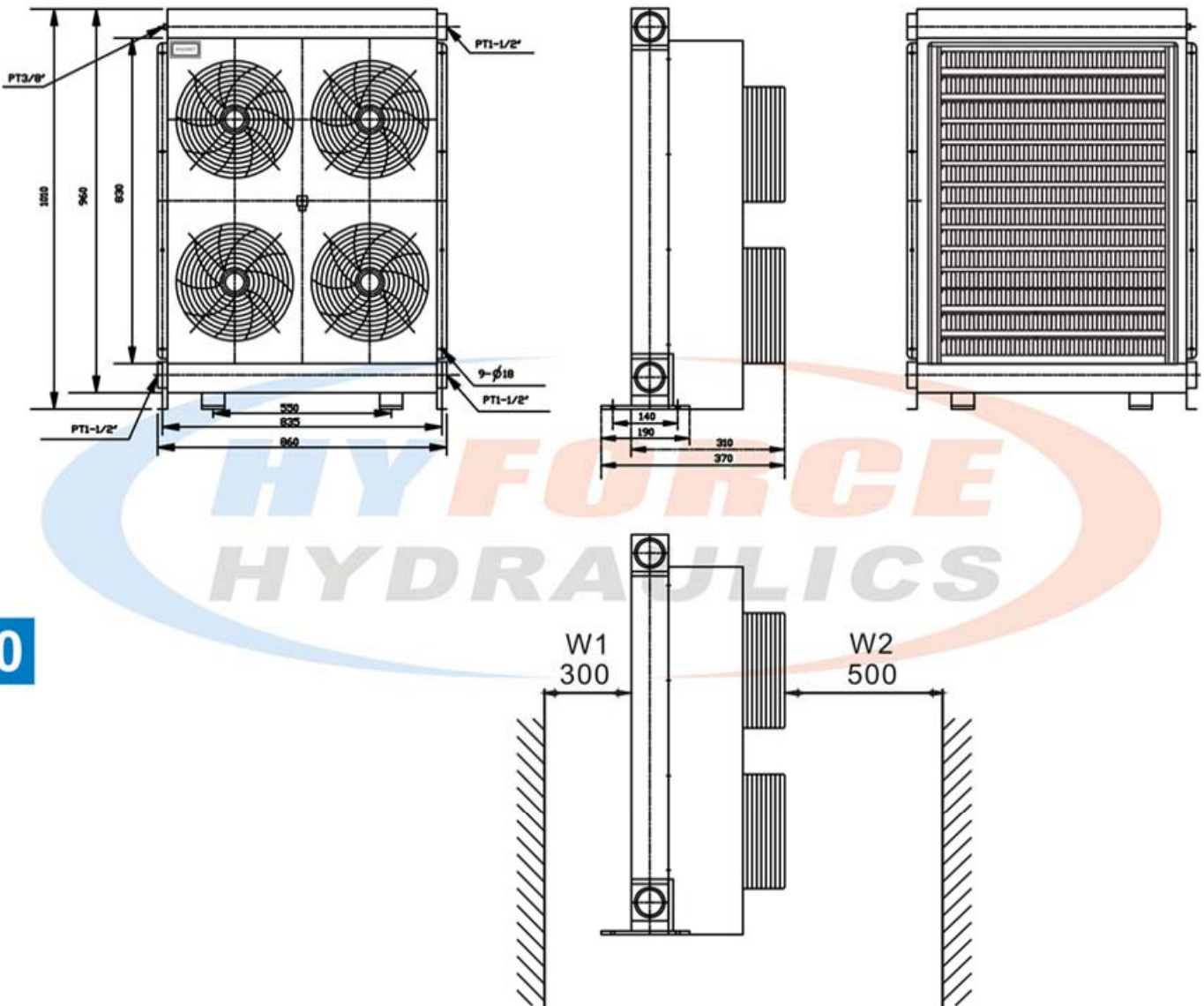
O

P

Heat Exchanger Series

AH2290T series air cooler dimensions

Unit: mm



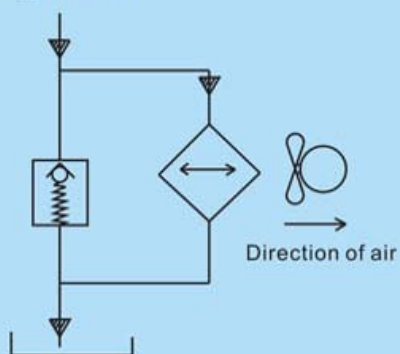
W1 is the min. distance between air inlet and obstacle

W2 is the min. distance between air outlet and obstacle

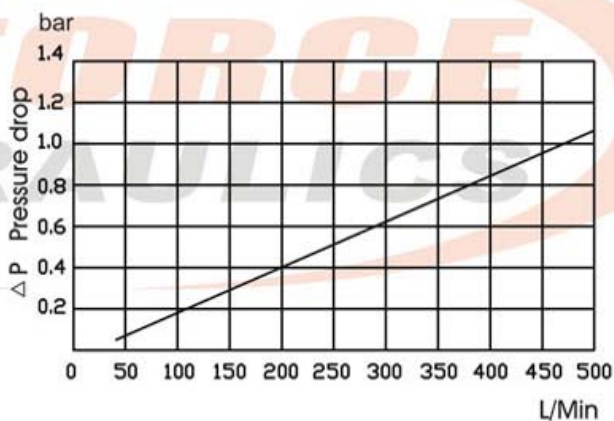
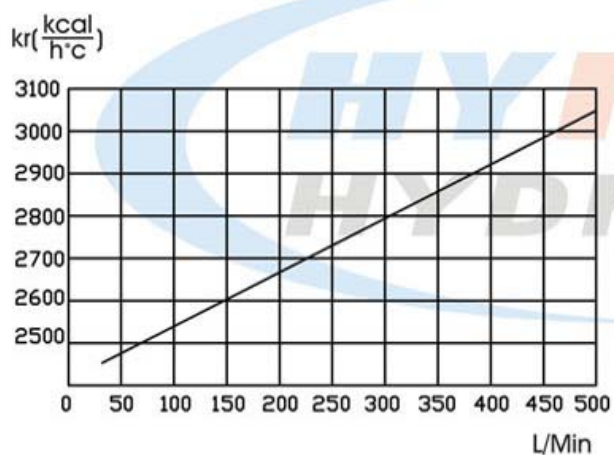
Heat Exchanger Series

AH2590T Series Air Cooler

Symbol



Performance curve



Technical data

Model	Voltage	Max. flow rate (l/min)	Max. working pressure (bar)	Consumed power (W)	Speed (rpm)	Noise (db)	Weight (kg)
AH2590T	DC12V (4 fans)	500	35	480	2500	60	93
	DC24V (4 fans)						
	AC220V (4 fans) (50Hz/60Hz)			360	1380		98
	AC380V (4 fans) (50Hz/60Hz)						

A

B

C

D

E

F

G

H

I

J

K

L

M

N31

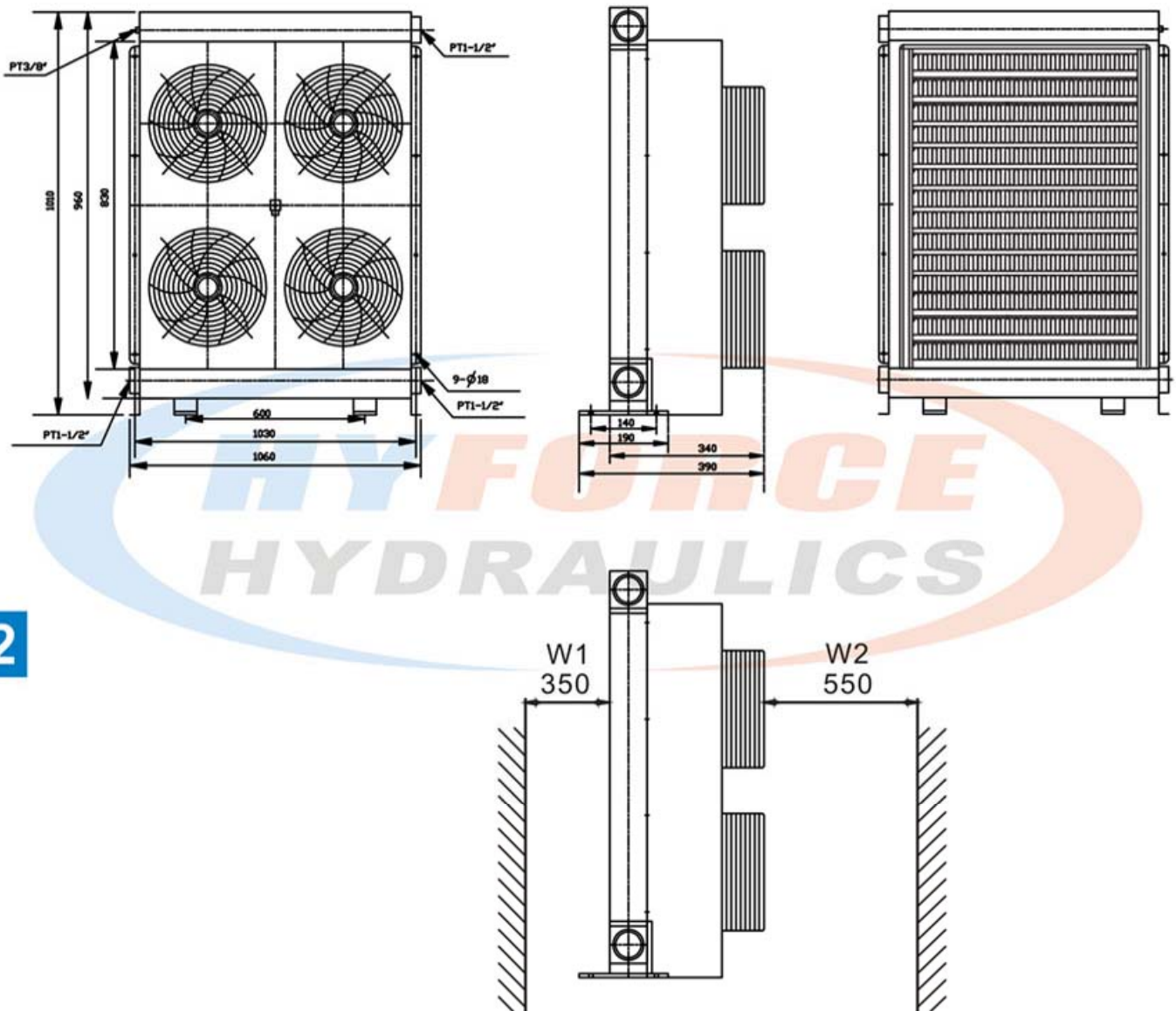
O

P

Heat Exchanger Series

AH2590T series air cooler dimensions

Unit: mm



W1 is the min. distance between air inlet and obstacle

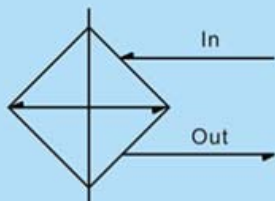
W2 is the min. distance between air outlet and obstacle

N32

Heat Exchanger Series

OR Series Multi-tube Oil Coolers

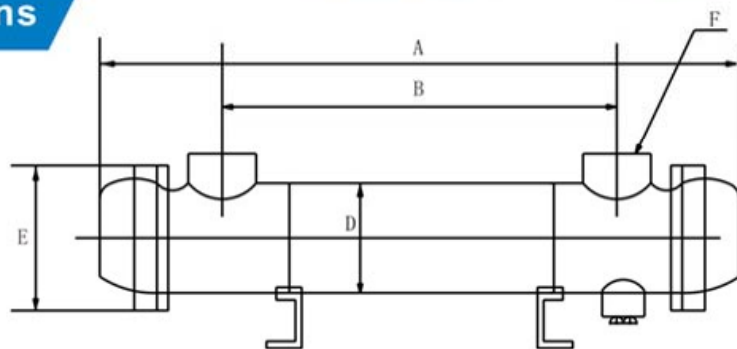
Symbol



Technical data

Model	Refer flow range (l/min)	Cooling area (m ²)	Weight (kgs)
OR-60	60	0.26	7.6
OR-100	100	0.38	12.2
OR-150	150	0.62	18.3
OR-250	250	1.30	21.2
OR-350	350	2.00	27.5
OR-600	600	2.30	36.0
OR-800	800	3.00	46.2
OR-1000	1000	3.70	54.5

Dimensions



Unit: mm

Model	A	B	C	D	E	F	G	J	K	L	M	N
OR-60	450	305	46	90	120	PT 3/4"	PT 3/4"	23	11	115.5	95	7 × 10
OR-100	555	403	57	114	150			33		145.5	106.5	10 × 20
OR-150	575	385	76	140	180	PT 1 1/4"	PT 1"	30	12.5	175	130	13 × 16
OR-250	780	585										
OR-350	1180	990										
OR-600	1175	950	87	165	205	PT 2"	PT 1 1/4"	34	200	161		
OR-800	1700	1490										
OR-1000	2140	1890										

A

B

C

D

E

F

G

H

I

J

K

L

M

N33

O

P